

FLEXTRACOIL BAND HEATERS



FLEXTRACOIL

Our Flextracoil heaters were created to heat flow-through nozzles and sprue bushings in runnerless molding systems. Available in either flat, square or round styles, the Flextracoil can be coiled evenly spaced or with distributed coils. All styles are stocked uncoiled at Fast Heat and are formed to customer specifications before shipping.

If you're in a hurry, Flextracoil heaters are available through QuickShip. For more details on this rapid delivery program, see page 2.

APPLICATIONS

Although the most common application for the Flextracoil is externally heating flow-through nozzles in hot runner systems, this heater is also versatile enough to be used for hot metal forming punches and dies, sealing bars and dies, instrumentation and medical applications.

Flextracoils can also be modified to meet the demands of virtually any special application. Our engineers can utilize a variety of alternative features and options to customize the heater to your specific needs.

Each Flextracoil heater is warranted against burn-out and defects in materials and workmanship for a period of one year after delivery.

MATERIAL AND CONSTRUCTION

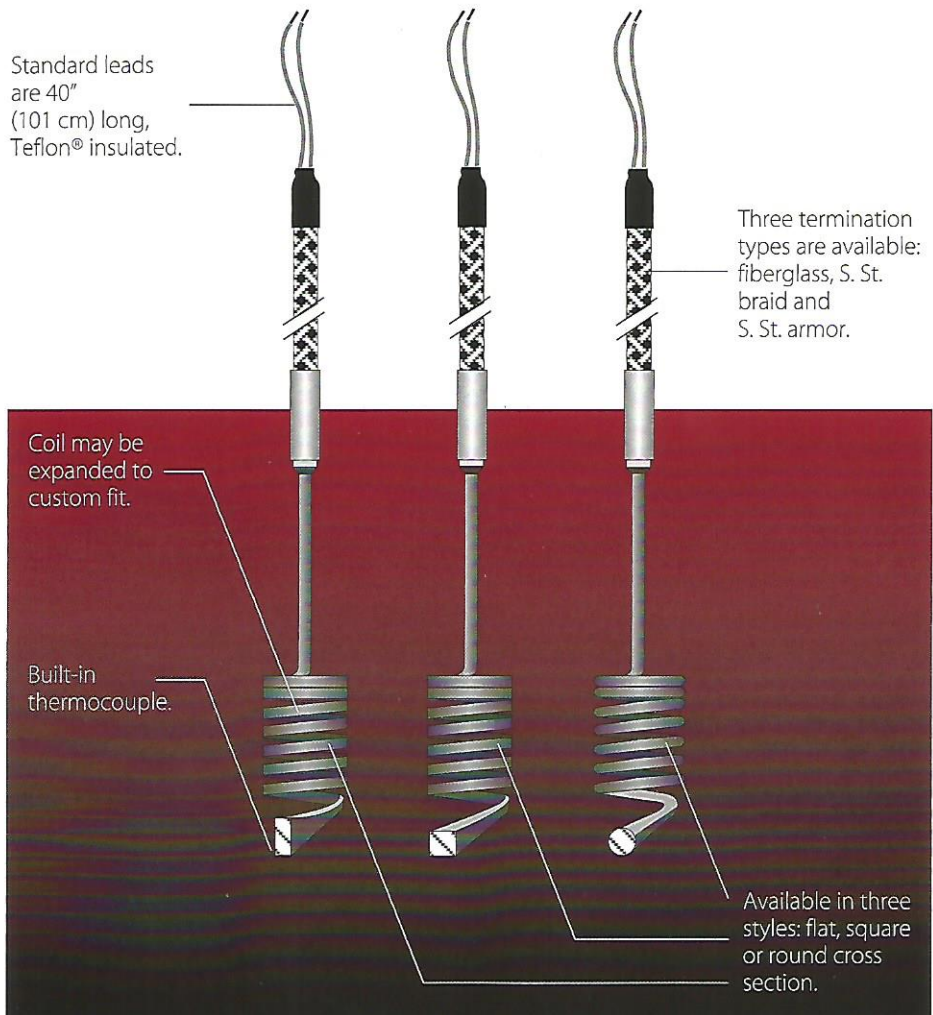
- Corrosion resistant high nickel alloy.
- Annealed element.
- Highly compacted MgO insulation.
- Three cross sections available.
- Standard leads are Teflon® insulated, 40" (101 cm) long.
- Three termination types are available: fiberglass sleeving (standard), stainless steel braid or armor.
- With or without type "J" thermocouple.
- Customization is available.

Following are some things to keep in mind when considering a Flextracoil heater. The square and flat designs have a broader surface contact and are recommended over the round design. For short coil widths, the square element is recommended because of its narrower width, which will allow for more turns per inch.

Because of the many different applications and possible designs, Fast Heat is ready to help with any design questions you may have or further design specifics you may need.

THERMOCOUPLE

As mentioned before, the thermocouple is type "J". The thermocouple has been located $\frac{1}{4}$ " (6.3 mm) to $\frac{3}{8}$ " (9.5 mm) in from the tip of the element. This is due to the fact that when the heater is coiled, the tip does not conform to the coiling diameter. By moving it back, a more accurate reading is achieved.





FLEXTRACOIL BAND HEATERS

FLEXTRACOIL (SQUARE)

All heaters listed are straight and can be coiled to meet your specific requirements, reference the ordering guide below.

| TOTAL STRAIGHT LENGTH IN. | MM | HEATED LENGTH IN. | MM | WATTS | 230V | T/C | PART NUMBER |
|------------------------------|--------|----------------------|--------|-------|------|-----|-------------|
| 15.35 | 389.9 | 11.18 | 283.9 | 180 | ◆ | • | AS-BF-0021 |
| 15.35 | 389.9 | 11.18 | 283.9 | 180 | ◆ | • | AS-BF-0016 |
| 21.30 | 541.0 | 17.73 | 450.3 | 270 | ◆ | • | AS-BF-0022 |
| 21.30 | 541.0 | 17.73 | 450.3 | 270 | ◆ | • | AS-BF-0017 |
| 29.15 | 740.4 | 25.59 | 649.9 | 470 | ◆ | • | AS-BF-0023 |
| 29.15 | 740.4 | 25.59 | 649.9 | 470 | ◆ | • | AS-BF-0018 |
| 37.00 | 939.8 | 33.45 | 849.6 | 610 | ◆ | • | AS-BF-0024 |
| 37.00 | 939.8 | 33.45 | 849.6 | 610 | ◆ | • | AS-BF-0019 |
| 44.90 | 1140.5 | 41.33 | 1049.7 | 630 | ◆ | • | AS-BF-0025 |
| 44.90 | 1140.5 | 41.33 | 1049.7 | 630 | ◆ | • | AS-BF-0020 |

All heaters listed below include:

- .118" x .118" (2.9 x 2.9 mm).
- 40" (101 cm) leads.
- Reference the illustrations below for lead exit types.



FLEXTRACOIL (FLAT)

All heaters listed are straight and can be coiled to meet your specific requirements, reference the ordering guide below.

| TOTAL STRAIGHT LENGTH IN. | MM | HEATED LENGTH IN. | MM | WATTS | 230V | T/C | PART NUMBER |
|------------------------------|-------|----------------------|-------|-------|------|-----|-------------|
| 13.40 | 340.4 | 9.84 | 249.9 | 195 | ◆ | • | AS-BF-0009 |
| 13.40 | 340.4 | 9.84 | 249.9 | 195 | ◆ | • | AS-BF-0003 |
| 14.58 | 370.3 | 11.02 | 279.9 | 215 | ◆ | • | AS-BF-0014 |
| 14.58 | 370.3 | 11.02 | 279.9 | 215 | ◆ | • | AS-BF-0002 |
| 16.75 | 425.5 | 13.19 | 335.0 | 240 | ◆ | • | AS-BF-0015 |
| 16.75 | 425.5 | 13.19 | 335.0 | 240 | ◆ | • | AS-BF-0005 |
| 18.72 | 475.5 | 15.16 | 385.0 | 295 | ◆ | • | AS-BF-0011 |
| 18.72 | 475.5 | 15.16 | 385.0 | 295 | ◆ | • | AS-BF-0006 |
| 21.67 | 550.4 | 18.11 | 460.0 | 350 | ◆ | • | AS-BF-0012 |
| 21.67 | 550.4 | 18.11 | 460.0 | 350 | ◆ | • | AS-BF-0004 |
| 24.03 | 610.4 | 20.47 | 519.9 | 400 | ◆ | • | AS-BF-0007 |
| 27.18 | 690.4 | 23.62 | 599.9 | 460 | ◆ | • | AS-BF-0010 |
| 27.18 | 690.4 | 23.62 | 599.9 | 460 | ◆ | • | AS-BF-0001 |
| 33.48 | 850.4 | 29.92 | 760.0 | 610 | ◆ | • | AS-BF-0008 |
| 38.99 | 850.4 | 35.43 | 899.9 | 690 | ◆ | • | AS-BF-0013 |

All heaters listed below include:

- .087" x .165" (2.2 x 4.1 mm).
- 40" (101 cm) leads.
- Reference the illustrations below for lead exit types.

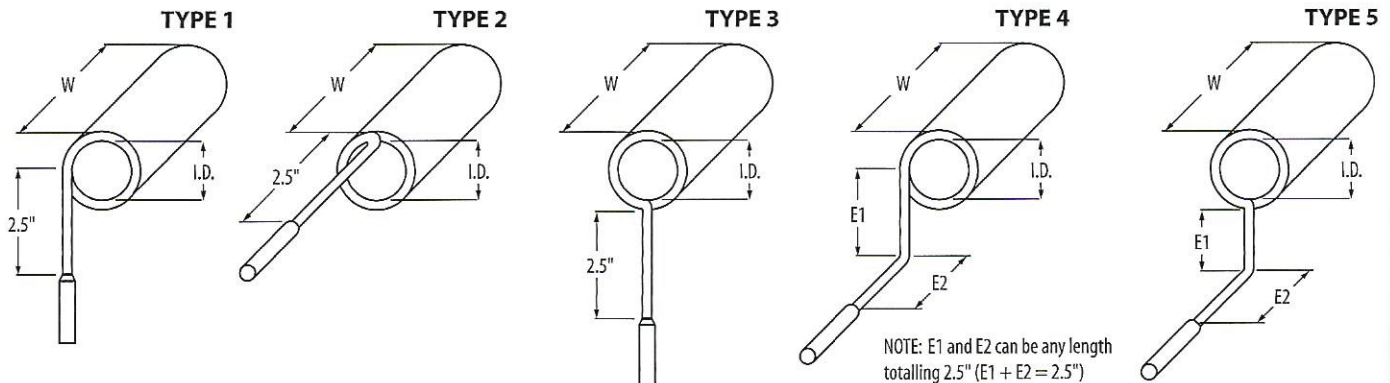


HOW TO ORDER:

1. Specify wattage and if a T/C is required.
2. Specify required I.D. and width (W).
3. Select lead exit type for coiling.
(When selecting type 4 or 5, specify E1 and E2 length, totalling 2.5").

Replacement heaters for D-M-E, Incoe and Husky are available.
Consult Fast Heat for more information.

FLEXTRACOIL LEAD EXIT TYPES



All product names mentioned herein are trademarks and/or registered trademarks of their respective holders.
Specifications, pricing, terms and conditions are subject to change without notice.